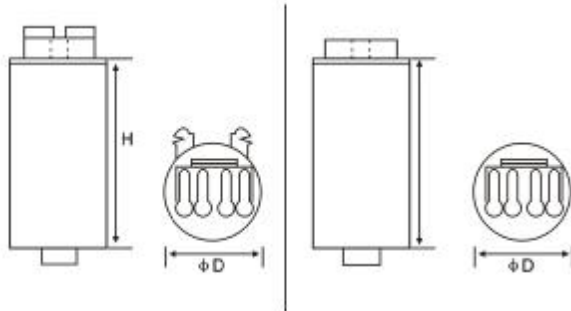


# MPL LAMP CAPACITOR TYPE MPP

## MPL 型燈具電容器 Lamp Capacitor Type MPP

### ●外形圖 Outline drawing



### ●產品介紹 Introduction

金屬化聚丙烯卷而成，塑料或鋁外殼封裝，多種引出方式。

The Products are made of metallized polypropylene film, encapsulated in a plastic or aluminum case, fetch out in many ways.

### ●特點FEATURE

- 可靠性高 High stability.
- 絕緣電阻高 High insulation resistance.
- 自愈性好 Excellent Self-healing property.
- 帶自放電安全保護功能 Discharge automatically for protection

### ●用途 Usage

廣泛用于日光燈、高效金屬鹵化物燈等燈具功率補償。  
Widely used in fluorescent lamps and halogen lamps.

### ●引用標準 Reference standard

IEC 1048 IEC 1049 UI810

### ●技術要求 SPECIFICATIONS

氣候類別/Climatic Catalogue		-40/85/21
容量範圍 / Capacitance Range		4 $\mu$ F~60 $\mu$ F
額定電壓/Climatic Voltage		125~630 VAC
電容量偏差/Capacitance tolerance		$\pm 5\%$ (J) $\pm 10\%$ (K)
損耗角正切/Dissipation factor		$< 4 \times 10^{-3}$ (23°C, f=100Hz)
耐電壓/Withstand voltage	極間 between terminals	1.5UR(10S)
	極殼 Terminals to case	2000V.AC
穩態過電壓 Voltage under steady state		允許1.1Un下長期運行 Running under 1.1Un for long-period
穩態過電流 Current under steady state		允許1.5In下長期運行 Running under 1.5In for long-period
放電性能 Discharge performance		$\sqrt{2}U_n$ 下斷開后60S剩餘電壓小於50V less than 50V after breakage in 60seconds at $\sqrt{2}U_n$

具體尺寸和技術參數，可按客戶要求協商確定。Special requirements can be designed at the request of customers